

LIGHTING & ELECTRICAL FOR STANDARD BOOTH

Electrical equipment for Standard Booth package (Inclusive of Power Consumption)

ITEM	DESCRIPTION	Early Rate 1 AUG 17	Standard 2 AUG to 21 AUG 17	On-site 22 AUG to 10 SEP 17	QTY	AMOUNT (USD)
Standard Booth Type A	Electrical Equipment Include	45.39	50.26	65.50		
	- 2xTube light (white light)					
	- 2xSpotlight Standard Type(warm light)					
	- 1x5Amp socket/220 Volt/50 Hz(Socket not for lighting)					
Standard Booth Type B	Electrical Equipment Included	51.88	57.07	73.93		
	- 2xTube light (white light)					
	- 2xSpotlight Standard Type(warm light)					
	- 1xDownlight(warm light)					
Standard Booth Type C	Electrical Equipment Included	64.85	71.33	92.73		
	- 2xTube light (white light)					
	- 4xDownlight(warm light)					
	- 1x5Amp socket/220 Volt/50 Hz(Socket not for lighting)					
					TOTAL (USD)	

*Please Noted : Exhibitors who order this Electrical Package for Standard Booth must order Standard Booth Type from Xcon

ORDERS ARE VALID ONLY WHEN ACCOMPANIED WITH PAYMENT IN FAVOR OF:

A/C Name : Addex Co.,Ltd.

A/C No : 095-2-01041-9 (Saving Account)

Bank's Name : Kasikorn Bank Public Co., Ltd. Seacon Square Branch

SWIFT CODE : KASITHBK

Please send us via FAX a copy proof of payment confirmation. See details below.

Remarks:

- Exhibitors who order Standard Booth Package A, B or C have to order Electrical Equipment to fit in each type.
- No modification on equipment is allowed. In case of damage, exhibitors will be penalized 20 times from the show day price list.
- A surcharge of 100% of electrical equipment will be added for any 24-hour operating electrical services.
- The distance of electrical cable is 2m from the hatch. Additional cable will be charged at 300THB/meter (Vat 7% exclusive).
- Electrical equipment relocation fee: 250THB/point, Circuit Breaker Single-phase relocation fee is 1,500THB/point and Circuit Breaker Three-phase relocation fee is 3,000THB/point (Vat 7% exclusive).
- Early Discount rate are orders and payments received before the deadline, late orders may not be accommodated.
- If accepted, Standard Rate will be in effect from deadline and On Site Rate applies during set up.
- The standard electricity are 220V and 380V. Fluctuation is around +/-10%. For safety,use electrical stabilizer to prevent power surge.
- Exhibitor can get 30% REFUND if orders are cancelled **prior to 21 August 2017**, and **NO REFUND** to orders cancelled **after 21 August 2017**.
- VAT 7% is applicable throughout the Kingdom of Thailand and must be included in your payment.
- We accept cash only for payment onsite.
- The wire transfer fee for payment from oversea shall be the customer's responsibility.
- The price above is for show days only. Testing will be allowed at 1 PM on the last day of set up period.

<p>Please complete and return this copy to :</p> <p style="text-align: center;">Addex Co.,Ltd.</p> <p style="text-align: center;">111 Onnouch Soi 64, Onnouch Road</p> <p style="text-align: center;">Suanluang, Bangkok,Thailand 10250</p> <p>Tel. : (662) 322 2111 ext. 230-232, 328-330</p> <p style="text-align: center;">Fax : (662) 322-2145</p> <p style="text-align: center;">E-mail : addex.ele@gmail.com</p> <p style="text-align: center;">Tax ID. 0105548154906</p>	Exhibiting Company:
	Address:
	<input type="checkbox"/> Head Office <input type="checkbox"/> Branch
	E-Mail:
	Tax ID: Fax:
	Stand No: Date:
	Tel:
	Contact Person:

LIGHTING & ELECTRICAL SERVICES

ITEM	DESCRIPTION	Light Color (Encircle preference)		Early Rate	Standard Rate	OnSite Rate	QTY	AMOUNT (USD)
				1 AUG 17	2 AUG to 21 AUG 17	22 AUG to 10 SEP 17		
Section A : Equipment service plus individual fitting, include electrical consumption.								
1	Spotlight Bulb LED	Warm	White	17.83	19.78	25.62		
2	Spotlight Bulb LED with arm 50cm	Warm	White	19.45	21.40	27.56		
3	LED Tube light(1.2mL)	N/A	White	21.08	23.35	30.15		
4	Spotlight LED MR16 with arm 15cm	Warm	White	21.08	23.35	30.15		
5	Spotlight LED PAR	Warm	White	27.56	30.80	39.88		
6	Spotlight LED PAR with arm 50cm	Warm	White	30.80	34.05	44.10		
7	Down Light LED MR16	Warm	White	24.32	26.59	34.37		
8	Down Light Bulb LED	Warm	White	25.94	28.53	36.96		
9	Track light 1 light/set bulb LED	Warm	White	21.08	23.35	30.15		
10	Track light 1 light/set LED MR16	Warm	White	24.32	26.59	34.37		
11	Strip LED (90cmL) in low showcase	N/A	White	32.42	35.67	N/A		
12	Halogen flood light 500W	Warm	N/A	38.91	42.80	55.45		
13	Flood Light LED 50W	Warm	White	81.06	89.17	N/A		
14	Flood light Metal Halide 150W	N/A	White	58.36	64.85	84.30		
15	Flood Light LED 100W	Warm	White	113.48	124.83	N/A		
16	Flood light Metal Halide 400W	N/A	White	72.95	80.41	104.41		
TOTAL (USD)								

ORDERS ARE VALID ONLY WHEN ACCOMPANIED WITH PAYMENT IN FAVOR OF:

A/C Name : **Addex Co.,Ltd.**
A/C No : **095-2-01041-9 (Saving Account)**
Bank's Name : **Kasikorn Bank Public Co., Ltd. Seacon Square Branch**
SWIFT CODE : **KASITHBK**

Please send us via FAX a copy proof of payment confirmation. See details below.

- Remarks:**
- One electric 5Amp power socket is limited for one merchandise only. Extension cord and connecting for lighting is strictly prohibited to prevent power surge.
 - No modification on equipment is allowed. In case of damage, exhibitors will be penalized 20 times of the show day price list.
 - The standard electricity are 220V and 380V. Fluctuation is around +/-10%. For safety,use electrical stabilizer to prevent power surge.
 - A surcharge of 100% of electrical equipment will be added for any 24-hour operating electrical services.
 - The distance of electrical cable is 2m from the hatch. Additional cable will be charged at 300THB/meter (Vat 7% exclusive).
 - Electrical equipment relocation fee: 250THB/point, Circuit Breaker Single-phase relocation fee is 1,500THB/point and Circuit Breaker Three-phase relocation fee is 3,000THB/point (Vat 7% exclusive).
 - Exhibitor can get 30% **REFUND** if orders are cancelled **prior to 21 August 2017**, and **NO REFUND** to orders cancelled **after 21 August 2017**.
 - VAT 7% is applicable throughout the Kingdom of Thailand and must be included in your payment.
 - We accept cash only for payment onsite.
 - The wire transfer fee for payment from oversea shall be the customer's responsibility.
 - The price above is for show day/s only and testing will be allowed at 1pm on the last day of the set up period.

Please complete and return this copy to : Addex Co.,Ltd. 111 Onnouch Soi 64, Onnouch Road Suanluang, Bangkok,Thailand 10250 Tel. : (662) 322 2111 ext. 230-232, 328-330 Fax : (662) 322-2145 E-mail : addex.ele@gmail.com Tax ID. 0105548154906	Exhibiting Company:
	Address:
	<input type="checkbox"/> Head Office <input type="checkbox"/> Branch
	E-Mail:
	Tax ID: Fax:
	Stand No: Date:
	Tel:
Contact Person:	

LIGHTING & ELECTRICAL SERVICES

ITEM	DESCRIPTION	Early Rate 1 AUG 17	Standard Rate 2 AUG to 21 AUG 17	OnSite Rate 22 AUG to 10 SEP 17	QTY	AMOUNT (USD)
Section B : Breaker (for Lighting), inclusive of consumption						
17	5 Amp/220V Single Phase 50Hz	113.48	124.83	162.12		
18	15 Amp/220V Single Phase 50Hz	220.48	242.53	315.16		
19	30 Amp/220V Single Phase 50Hz	421.52	463.67	603.09		
20	15 Amp/380V Three Phase 50Hz	632.27	695.50	903.99		
21	30 Amp/380V Three Phase 50Hz	1,248.33	1,373.17	1,783.33		
22	60 Amp/380V Three Phase 50Hz	1,913.03	2,104.33	2,733.36		
Section C : Equipment connecting labour charge for exhibitors using their own lighting fixture, exclusive of consumption						
23	Connecting fee per unit (exclusive consumption)	5.84	6.48	8.43		
Section D : Breaker for Exhibits (not for lighting), inclusive of power consumption						
24	5 A. Socket (with 5 A. fuse) 220V/50Hz	22.05	24.32	31.78		
25	15 Amp/220V Single Phase 50Hz	81.06	89.17	115.75		
26	30 Amp/220V Single Phase 50Hz	145.91	160.50	208.49		
27	15 Amp/380V Three Phase 50Hz	145.91	160.50	208.49		
28	30 Amp/380V Three Phase 50Hz	324.24	356.67	463.67		
29	60 Amp/380V Three Phase 50Hz	616.06	677.67	880.97		
30	100 Amp/380V Three Phase 50Hz	972.73	1,070.00	1,391.00		
**** Installation of electrical grounding is required in all electrical system ****						TOTAL (USD)

Any attempt to connect will cause automatic power shut down.

ORDERS ARE VALID ONLY WHEN ACCOMPANIED WITH PAYMENT IN FAVOR OF:

A/C Name : Addex Co.,Ltd.

A/C No : 095-2-01041-9 (Saving Account)

Bank's Name : Kasikorn Bank Public Co., Ltd. Seacon Square Branch

SWIFT CODE : KASITHBK

Please send us via FAX a copy proof of payment confirmation. See details below.

Remarks:



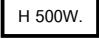








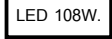
- One electric 5Amp power socket is limited for one merchandise only. Extension cord and connecting for lighting is strictly prohibited to prevent power surge.
- No modification on equipment is allowed. In case of damage, exhibitors will be penalized 20 times of the show day price list.
- The standard electricity are 220V and 380V. Fluctuation is around +/-10%. For safety, use electrical stabilizer to prevent power surge.
- A surcharge of 100% of electrical equipment will be added for any 24-hour operating electrical services.
- The distance of electrical cable is 2m from the hatch. Additional cable will be charged at 300THB/meter (Vat 7% exclusive).
- Electrical equipment relocation fee: 250THB/point, Circuit Breaker Single-phase relocation fee is 1,500THB/point and Circuit Breaker Three-phase relocation fee is 3,000THB/point (Vat 7% exclusive).
- Exhibitor can get 30% REFUND if orders are cancelled **prior to 21 August 2017**, and **NO REFUND** to orders cancelled **after 21 August 2017**.
- VAT 7% is applicable throughout the Kingdom of Thailand and must be included in your payment.
- We accept cash only for payment onsite.
- The wire transfer fee for payment from oversea shall be the customer's responsibility.
- The price above is for show day/s only and testing will be allowed at 1pm on the last day of the set up period.

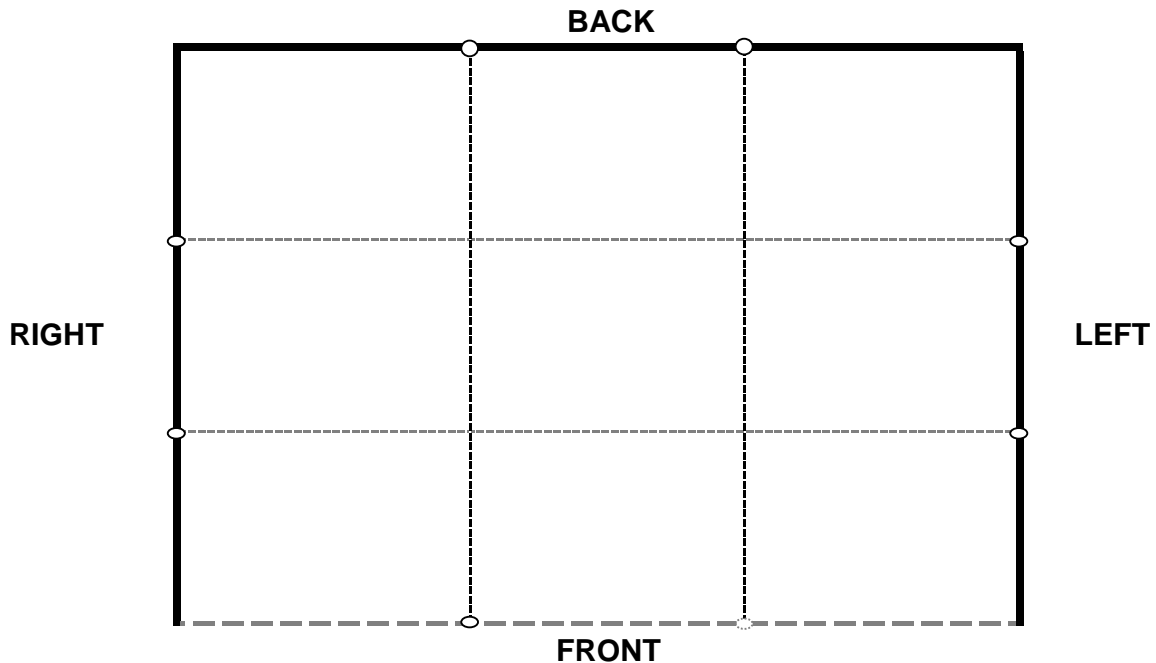
<p>Please complete and return this copy to :</p> <p>Addex Co.,Ltd.</p> <p>111 Onnouch Soi 64, Onnouch Road</p> <p>Suanluang, Bangkok,Thailand 10250</p> <p>Tel. : (662) 322 2111 ext. 230-232, 328-330</p> <p>Fax : (662) 322-2145</p> <p>E-mail : addex.ele@gmail.com</p> <p>Tax ID. 0105548154906</p>	Exhibiting Company:
	Address:
	<input type="checkbox"/> Head Office <input type="checkbox"/> Branch
	E-Mail:
	Tax ID: Fax:
	Stand No: Date:
	Tel:
	Contact Person:

LIGHTING & ELECTRICS PLAN

If not specified otherwise, all your requested utility points will be placed upon our Contractor's discretion.

All relocation cost thereafter shall be at the Exhibitor's expense.

	Spotlight		Outlet		Halogen 500W
	Spotlight w/ arm		Breaker		Metal Halide 150W
	Tube Lamp		Connecting(by UTEX)		Metal Halide 400W
	Down Light		LED 40 W.		LED 108W



- Equipment required 24 Hr. electricity supply must be identified in plan.
- Electrical equipment relocation fee: 250THB/point, Circuit Breaker Single-phase relocation fee is 1,500THB/point and Circuit Breaker Three-phase relocation fee is 3,000THB/point (Vat 7% exclusive).

Please complete and return this copy to : Addex Co.,Ltd. 111 Onnouch Soi 64, Onnouch Road Suanluang, Bangkok,Thailand 10250 Tel. : (662) 322 2111 ext. 230-232, 328-330 Fax : (662) 322-2145 E-mail : addex.ele@gmail.com Tax ID. 0105548154906	Exhibiting Company:
	Address:
	E-Mail:
	Tax ID: <input type="checkbox"/> Head Office <input type="checkbox"/> Branch
	Stand No:
	Tel: Fax:
	Contact Person: Date:

Electrical for set-up and dismantle

Set Up

ITEM	DESCRIPTION	Price/day (USD)	Days	Date	QTY	AMOUNT (USD)
Section F: Electrical for set-up						
1	15 Amp/220V Single Phase 50Hz	32.42				
2	30 Amp/220V Single Phase 50Hz	58.36				
3	15 Amp/380V Three Phase 50Hz	58.36				
4	30 Amp/380V Three Phase 50Hz	110.24				
5	60 Amp/380V Three Phase 50Hz	220.48				
5	100 Amp/380V Three Phase 50Hz	389.09				
TOTAL (USD)						

Dismantle

ITEM	DESCRIPTION	Price/day (USD)	Days	Date	QTY	AMOUNT (USD)
Section F: Electrical for dismantle						
1	15 Amp/220V Single Phase 50Hz	32.42				
2	30 Amp/220V Single Phase 50Hz	58.36				
3	15 Amp/380V Three Phase 50Hz	58.36				
4	30 Amp/380V Three Phase 50Hz	110.24				
5	60 Amp/380V Three Phase 50Hz	220.48				
6	100 Amp/380V Three Phase 50Hz	389.09				
TOTAL (USD)						

ORDERS ARE VALID ONLY WHEN ACCOMPANIED WITH PAYMENT IN FAVOR OF:

A/C Name : **Addex Co.,Ltd.**

A/C No : **095-2-01041-9 (Saving Account)**

Bank's Name : **Kasikorn Bank Public Co., Ltd. Seacon Square Branch**

SWIFT CODE : **KASITHBK**

Remarks:

- Electrical equipment relocation fee: 250THB/point, Circuit Breaker Single-phase relocation fee is 1,500THB/point and Circuit Breaker Three-phase relocation fee is 3,000THB/point (Vat 7% exclusive).
- Any illegal connection found would yield to electrical power disconnection and a fine of 20 times will be applied as per manual price.
- Exhibitor can get 30% **REFUND** if orders are cancelled **prior to 21 August 2017** and **NO REFUND** to orders cancelled **after 21 August 2017**.
- VAT 7% is applicable throughout the Kingdom of Thailand and must be included in your payment.
- A surcharge of 100% of electrical equipment will be added for 24-hour operating services.
- The wire transfer fee for payment from oversea shall be the customer's responsibility.
- The price above is for set up and dismantle period only, not for show day/s.

<p>Please complete and return this copy to :</p> <p style="text-align: center;">Addex Co.,Ltd.</p> <p style="text-align: center;">111 Onnouch Soi 64, Onnouch Road</p> <p style="text-align: center;">Suanluang, Bangkok,Thailand 10250</p> <p style="text-align: center;">Tel. : (662) 322 2111 ext. 230-232, 328-330</p> <p style="text-align: center;">Fax : (662) 322-2145</p> <p style="text-align: center;">E-mail : addex.ele@gmail.com</p> <p style="text-align: center;">Tax ID. 0105548154906</p>	Exhibiting Company:
	Address:
	<input type="checkbox"/> Head Office <input type="checkbox"/> Branch
	E-Mail:
	Tax ID: Fax:
	Stand No: Date:
	Tel:
Contact Person:	